

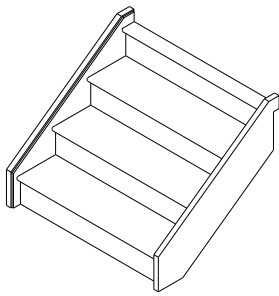
GENNER HOLDINGS Pty Limited trading as: **GENNERAL STAIRCASE** A.B.N. 97 003 708 343
 Established 1971 B/Lic No.113084C



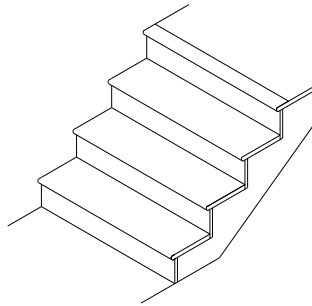
12b-13 Davis Road
 Wetherill Park NSW 2164
 Ph: 02 9609 7777 Fax: 02 9609 7888

Email: stairs@genstairs.com.au
 Web: www.genstairs.com.au

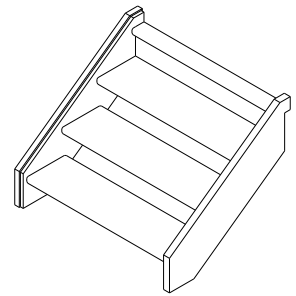
Timber Staircase Styles



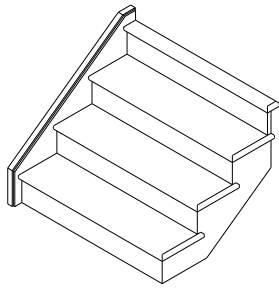
Closed Rise / Closed String Staircase



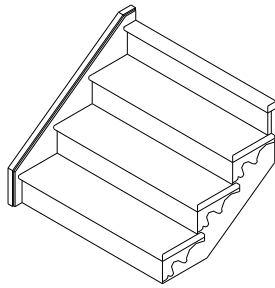
Closed Rise / Conc Cut Staircase
(Between Walls)



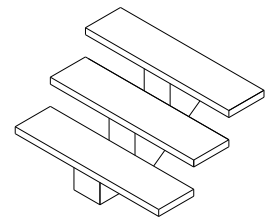
Open Rise / Closed String Staircase
(Internal Staircase)



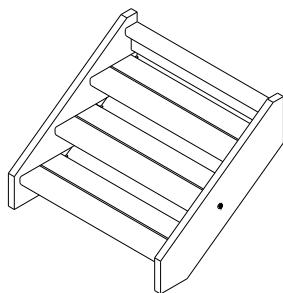
Closed Rise / Cut String Staircase
No Frets



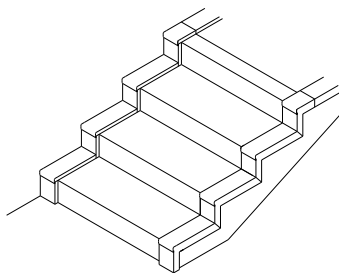
Closed Rise / Cut String Staircase
with Frets



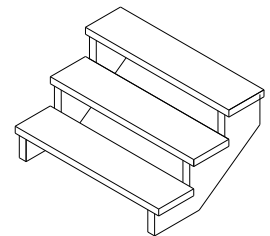
Open Rise / Mono-string



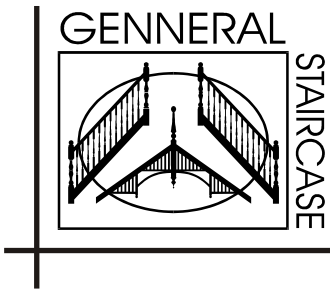
Open Rise / Closed String
External Staircase



Capped Cut String



Open Rise / Cut String



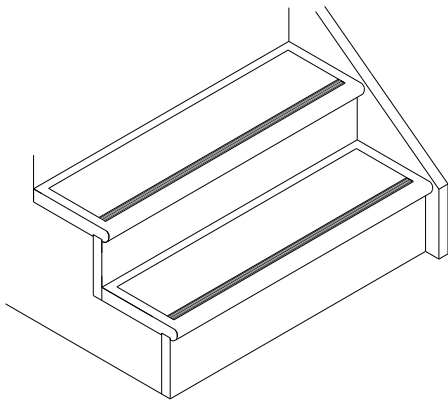
GENNER HOLDINGS Pty Limited trading as: **GENNERAL STAIRCASE** A.B.N. 97 003 708 343
Established 1971 B/Lic No.113084C

12b-13 Davis Road
Wetherill Park NSW 2164
Ph: 02 9609 7777 Fax: 02 9609 7888

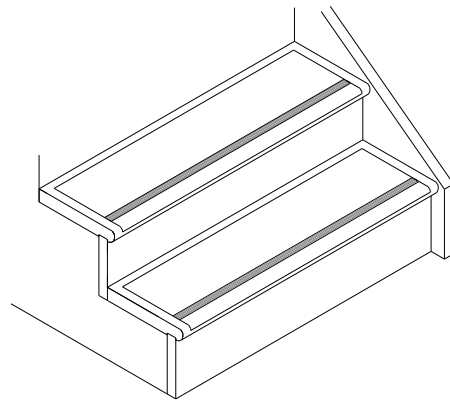


Email: stairs@genstairs.com.au
Web: www.genstairs.com.au

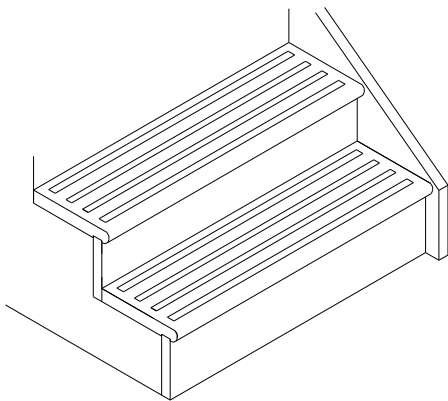
Timber Staircase Styles - Stone Treads & Risers



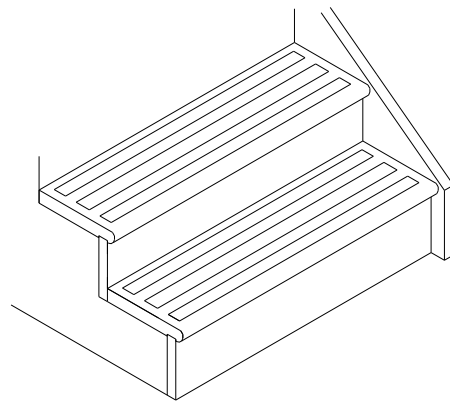
ST-1



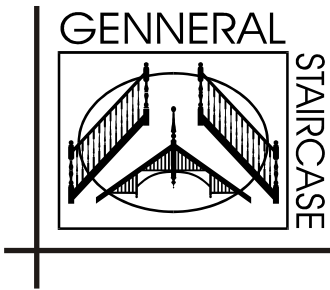
ST-2



ST-3



ST-4



GENNER HOLDINGS Pty Limited trading as:
GENNERAL STAIRCASE
Established 1971

A.B.N. 97 003 708 343

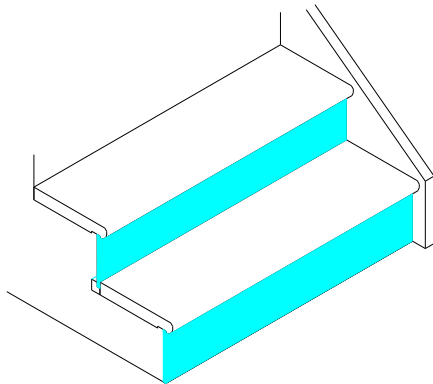
B/Lic No.113084C



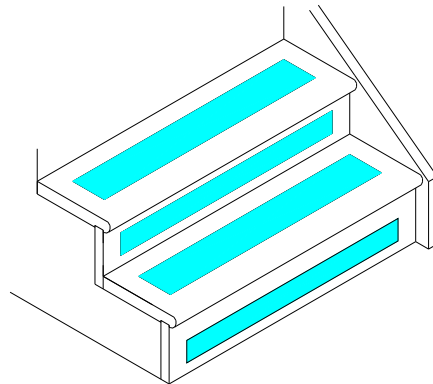
12b-13 Davis Road
Wetherill Park NSW 2164
Ph: 02 9609 7777 Fax: 02 9609 7888

Email: stairs@genstairs.com.au
Web: www.genstairs.com.au

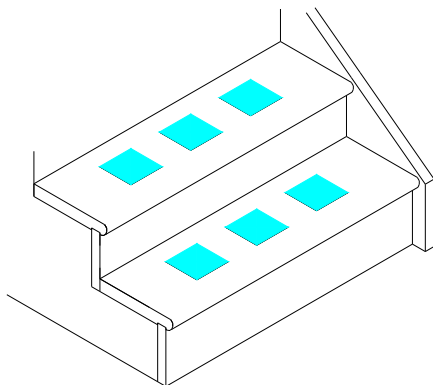
Timber Staircase Styles - Glass Treads & Risers



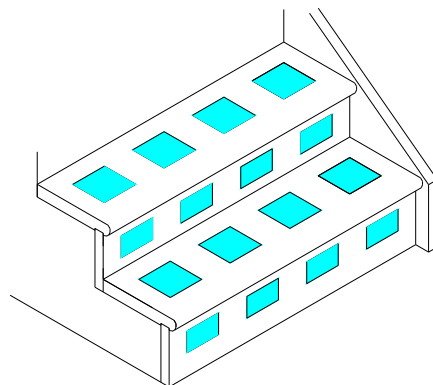
GT-1



GT-2
GR-2



GT-3



GT-4
GR-4